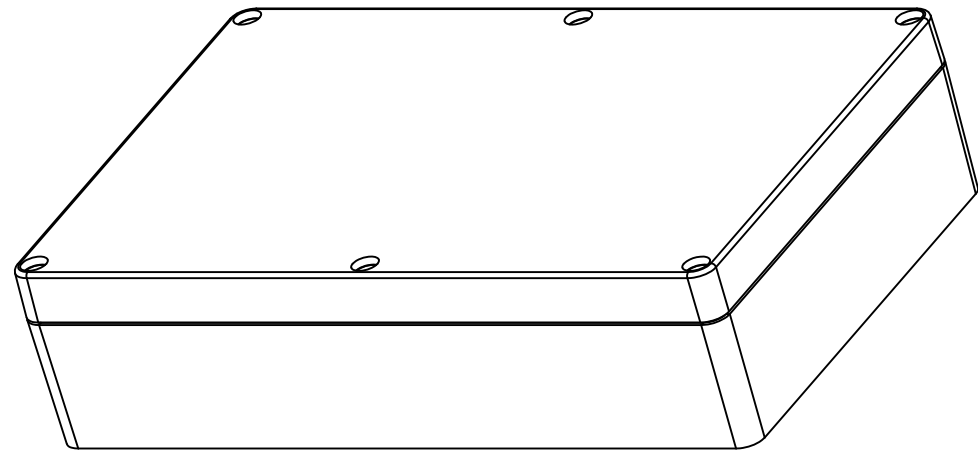
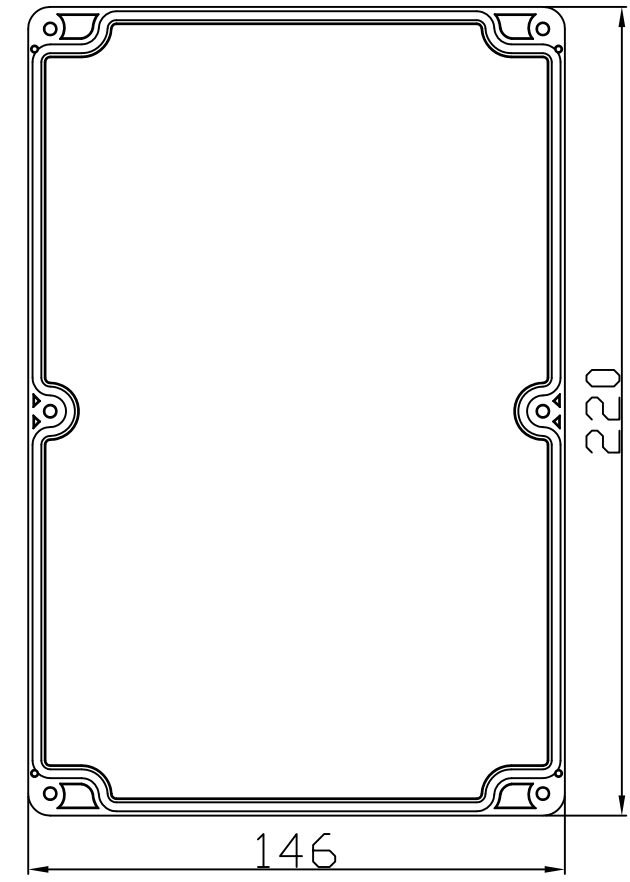
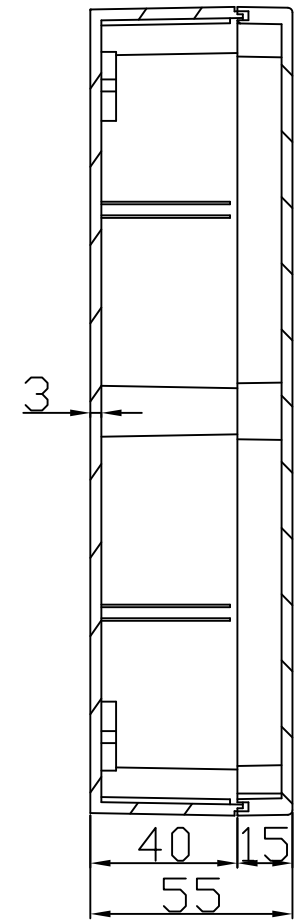
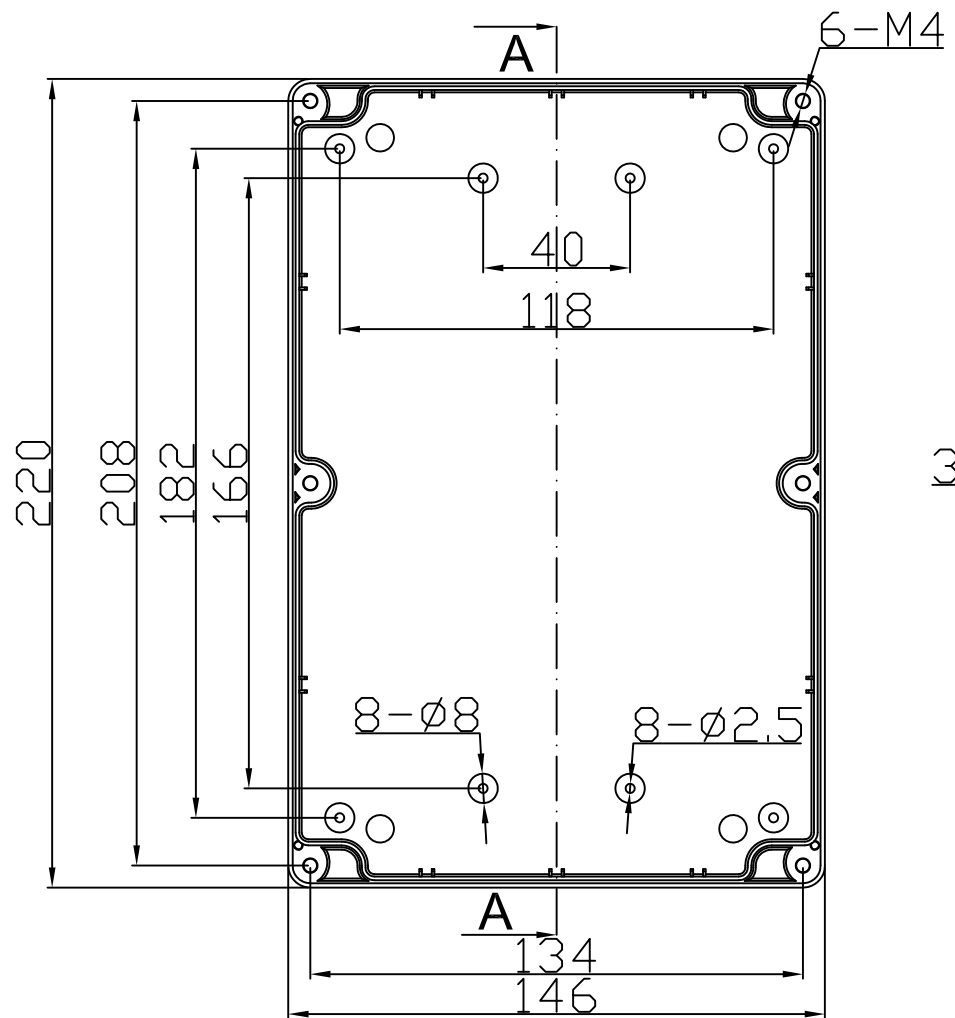


REVISION RECORD				
REV	ECD	DESCRIPTION	DRFT	CHKD



A-A

DETACHED LISTS	MM (INCH)	DRAWN	NAME	DATE	E:\new logo.jpg	EVEREST WWW.EVERESTCASE.COM	
	TOLERANCES EXCEPT AS NOTED	CHECKED	Kelvin	02/02/2015			
	MM	ENG APPR.					
	.0 ± 0.3 ±						
.00 ± 0.2 ±					TITLE		
.000 ± 0.1 ±						PW065	
ANGLES ± 5°		QT'Y :			DRAWING NO. PW065	SIZE	REV
FIRST ANGLE PROJECTION		FINISH:			/PART NO. 00	A4	
		SCALE : 1:1			DO NOT SCALE DRAWING	SHEET 1	OF 1