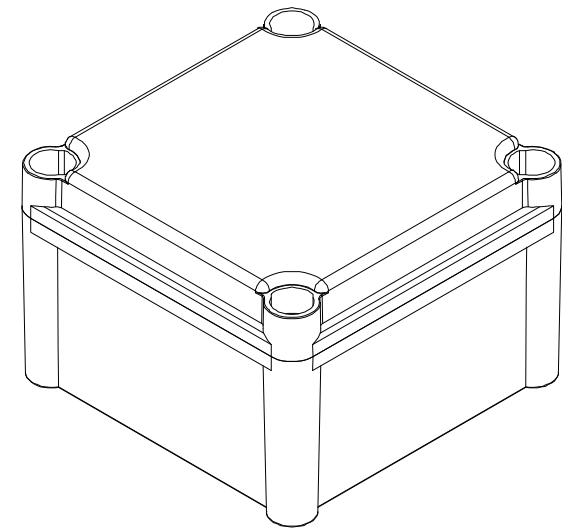
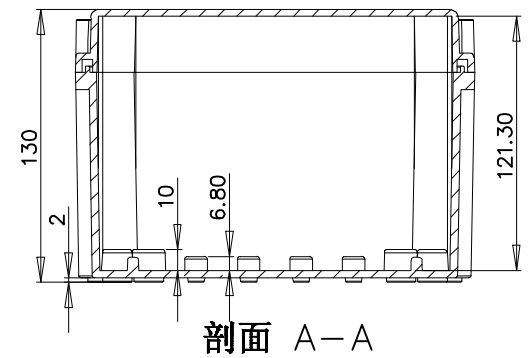
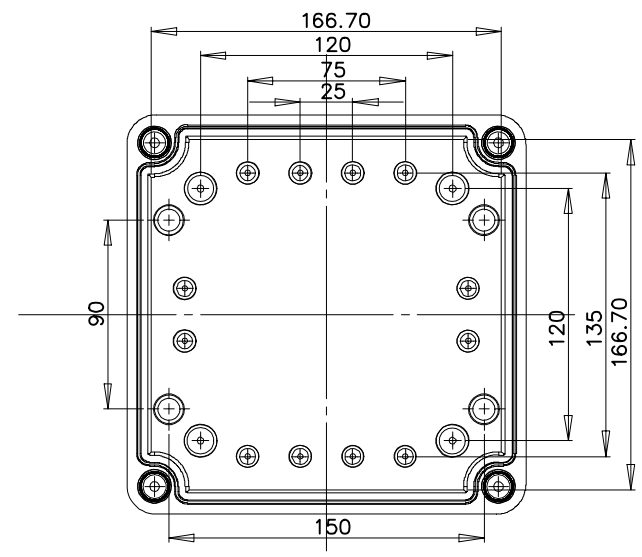
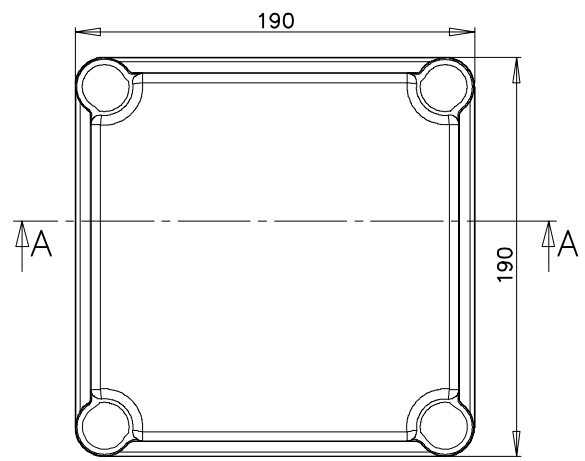


REVISION RECORD				
REV	ECD	DESCRIPTION	DRFT	CHKD



DETACHED LISTS	MM (INCH)		NAME	DATE	埃弗勒斯 EVEREST WWW.EVERESTCASE.COM
	TOLERANCES EXCEPT AS NOTED		DRAWN	CHECKED	
	MM	±	ENG APPR		
	.0 ± 0.3	±	MATERIAL : ABS		
	.00 ± 0.2	±	QT'Y :		
.000 ± 0.1	±	FINISH:		TITLE	
ANGLES ± 5°		FIRST ANGLE PROJECTION		DRAWING NO. PW166	SIZE A4
		SCALE : 1:1		/PART NO. 00	REV
				DO NOT SCALE DRAWING	SHEET 1 OF 1