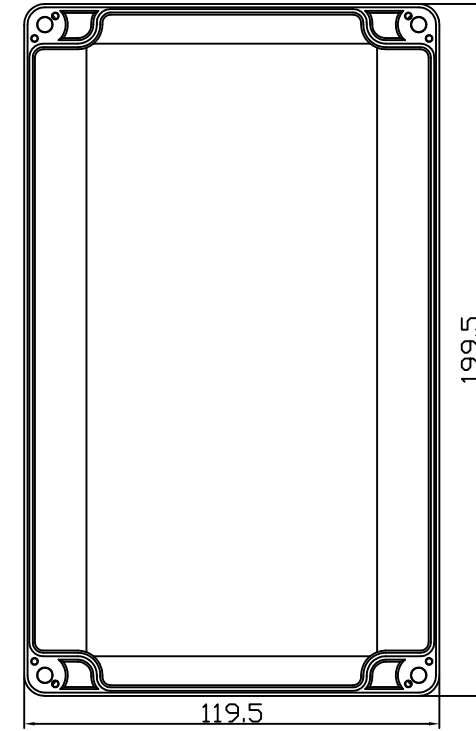
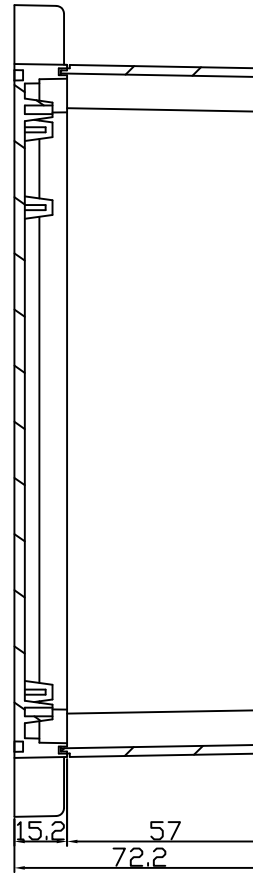
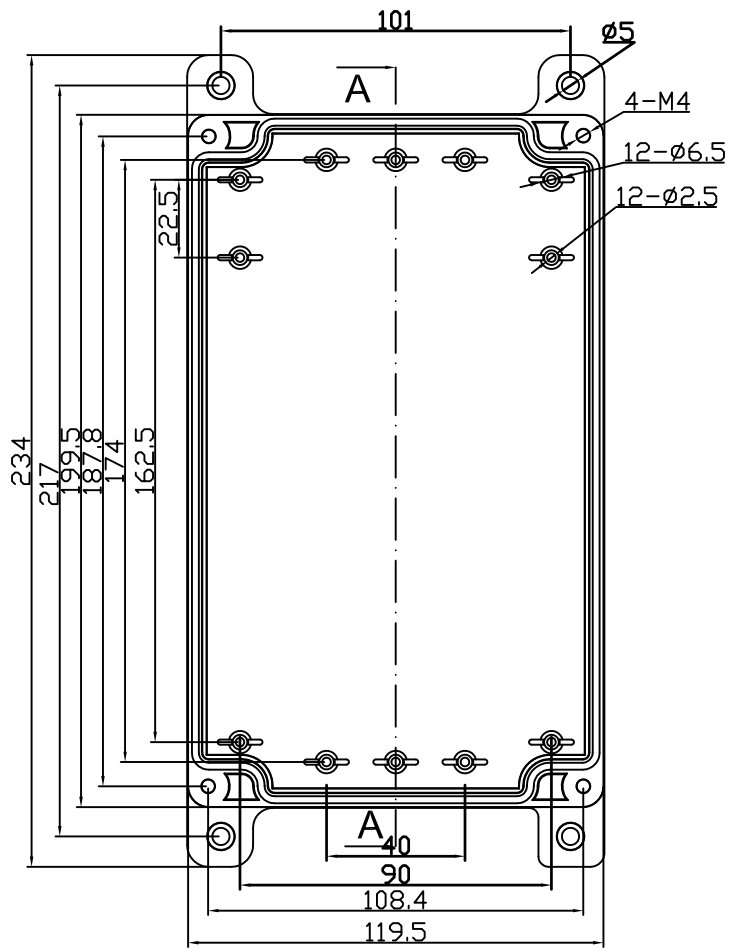
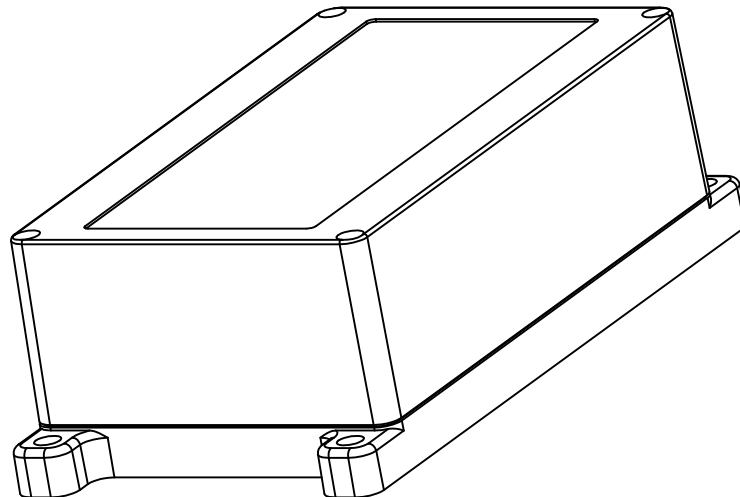


REVISION RECORD				
REV	ECD	DESCRIPTION	DRFT	CHKD



A-A



TOLERANCES EXCEPT AS NOTED		DRAWN	NAME	DATE	E:\new logo.jpg	EVEREST WWW.EVERESTCASE.COM
MM	±	CHECKED	Kelvin	01/21/2015		
.0 ± 0.3	±	ENG APPR.			PW057	
.00 ± 0.2	±				DRAWING NO. PW057	
.000 ± 0.1	±				/PART NO. 00	
MATERIAL : ABS		QT'Y :		DRAWING NO. PW057		SIZE
ANGLES ± 5°		FINISH:		/PART NO. 00		A4
FIRST ANGLE PROJECTION		SCALE : 1:1		DO NOT SCALE DRAWING		REV
				SHEET 1		OF 1