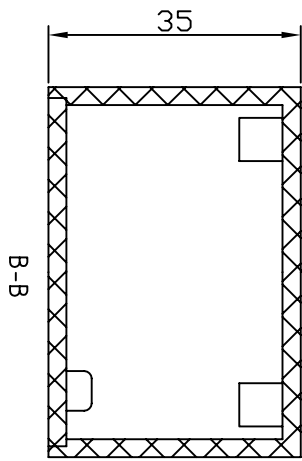
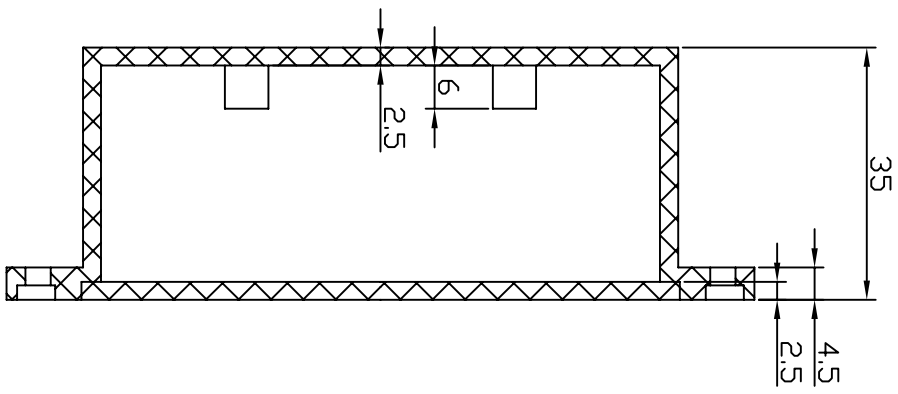
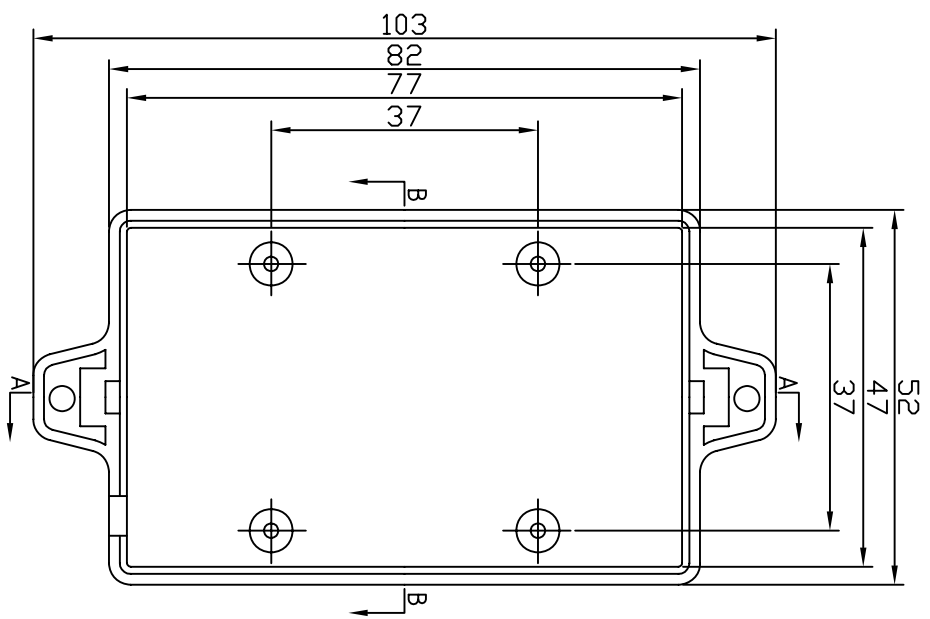



REVISION RECORD				
REV	ECO	DESCRIPTION	DRFT	CHKD



DETACHED LISTS		TOLERANCES EXCEPT AS NOTED		MATERIAL		TITLE	
MM	(INCH)	MM	(INCH)	DRFTD	DATE	CHKD	DATE
0.1 ± 0.03		0.1 ± 0.03		APPVLD	DATE	DATE	DATE
0.01 ± 0.02		0.01 ± 0.02		MATERIAL: ABS			
0.00 ± 0.01		0.00 ± 0.01		QT'Y: 1			
ANGLES ± 5°		FINISH:		DRAWING NO. PC044			
THIRD ANGLE PROJECTION		SCALE: 1:1		/PART NO. 00			
				DO NOT SCALE DRAWING			
				SHEET 1 OF 1			
				SIZE A4			
				REV			


EVEREST
 WWW.EVERESTCASE.COM

PC044