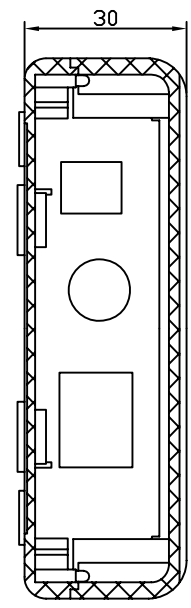
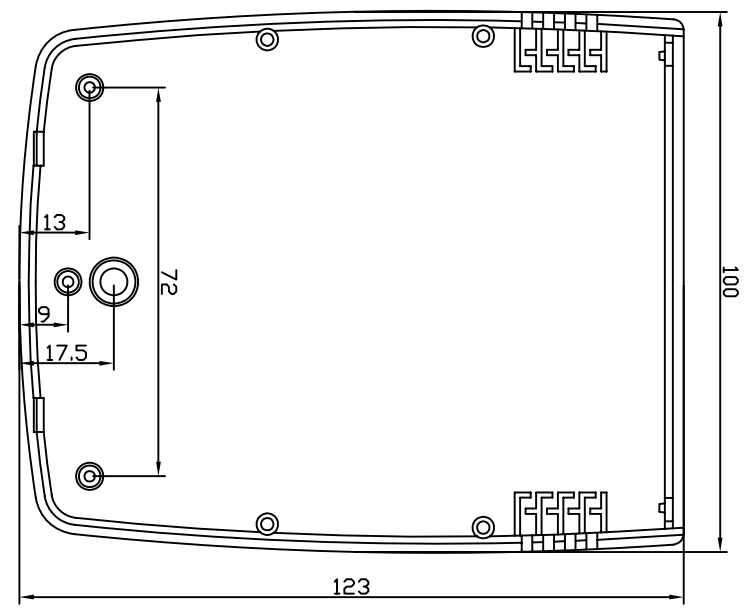
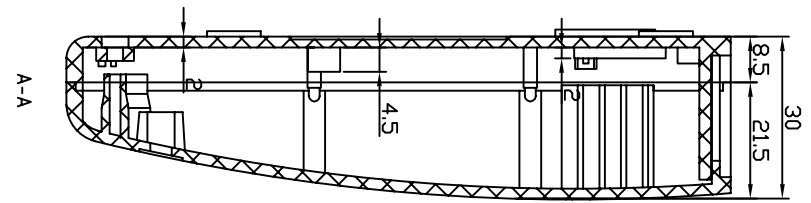
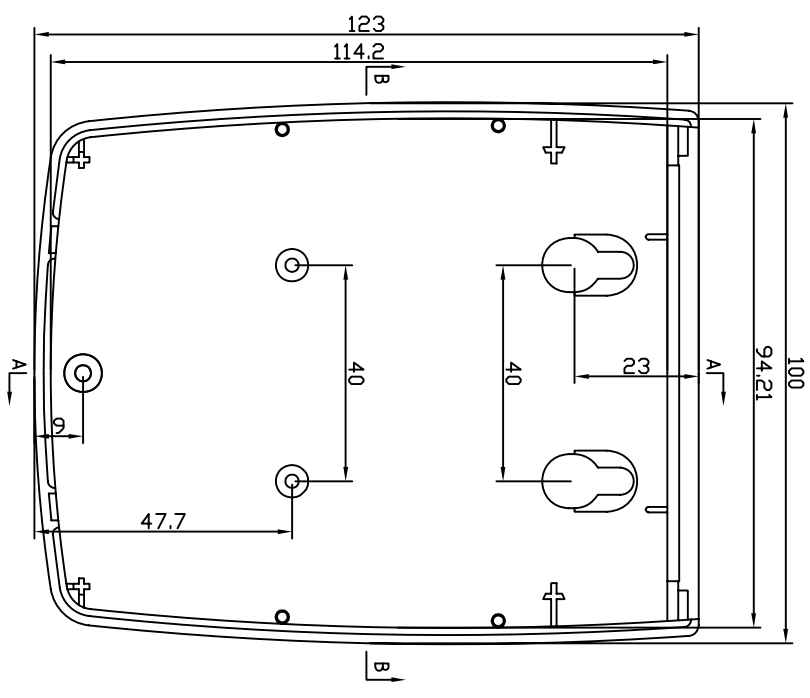


REVISION RECORD				
REV	ECD	DESCRIPTION	DRFT	CHKD



B-B

A-A

DETACHED LISTS			
MM	INCH	DATE	DATE
0 ± 0.3		CHKD	DATE
.00 ± 0.02		DRD	DATE
0.00 ± 0.01		APPL	DATE
ANGLES ± 5°		MATERIAL: ABS	
		QTY: 1	
		FINISH:	
		SCALE: 1:1	
THIRD ANGLE PROJECTION		DRAWING NO. PC028	
		/PART NO. 00	
		DID NOT SCALE DRAWING	
		SHEET 1 OF 1	
		SIZE A4	
		REV	

埃弗勒斯
EVEREST
WWW.EVERESTCASE.COM

PC028

TITLE