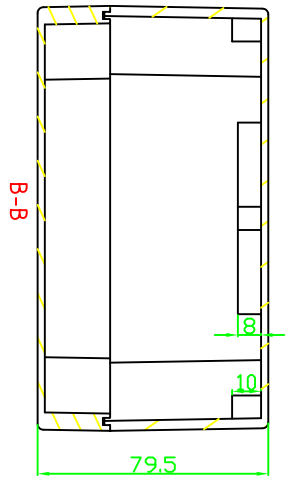
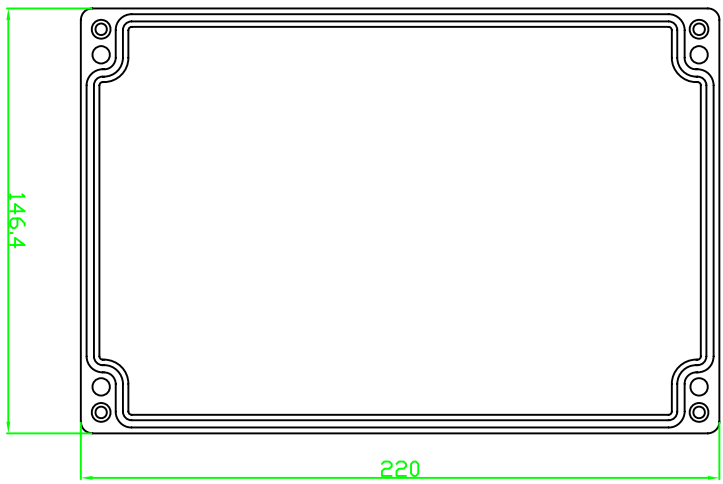
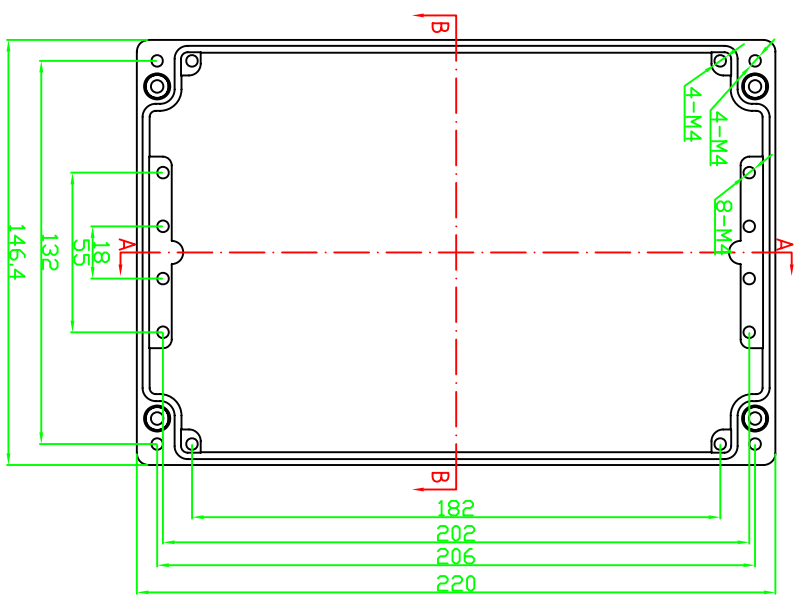


REVISION RECORD				
REV	ECD	DESCRIPTION	DRFT	CHKD



DETACHED LISTS		MM	(INCH)	MM	(INCH)
ANGLE ± 5°	±	±	±	±	±
0.00 ± 0.02	±	±	±	±	±
0.00 ± 0.1	±	±	±	±	±
MATERIAL: AL		DRAWING NO. AW067			
QTY: 1		DATE: 12/03/2014			
FINISH:		NAME: Aipon			
SCALE: 1:1		CHECKED: ENG APPR:			
DRAWING NO. AW067		DRAWN: Aipon			
/PART NO. 00		DATE: 12/03/2014			
DD NOT SCALE DRAWING		TOLERANCES EXCEPT AS NOTED			
SHEET 1 OF 1		WWW.EVERESTCASE.COM			

埃弗勒斯
EVEREST
WWW.EVERESTCASE.COM

TITLE
AW067

SIZE
A4
REV