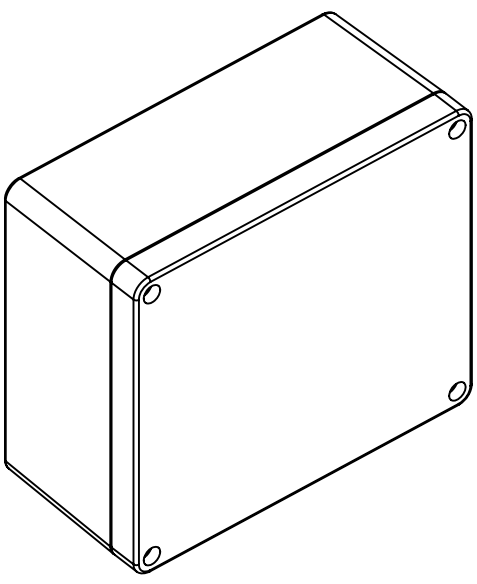
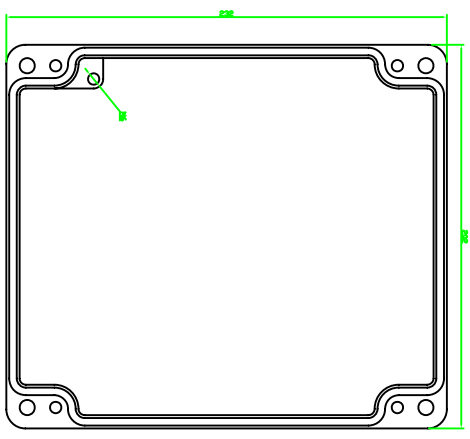
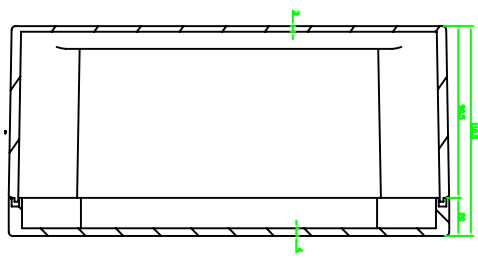
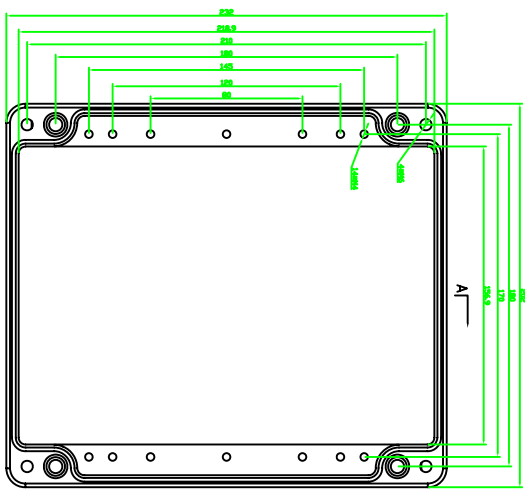


REVISION RECORD				
REV	ECD	DESCRIPTION	DRFT	CHKD



DETACHED LISTS			
 FIRST ANGLE PROJECTION	 ANGLES ± 5°	(INCH)	(MM)
	TOLERANCES EXCEPT AS NOTED		
.1 ± 0.3 .00 ± 0.2 .000 ± 0.1	± ± ±	± ± ±	± ± ±
DRFTD CHKD MFD APPVL	DATE DATE DATE DATE	MATERIAL : AL	QTY : 1
FINISH :		SCALE : 1:1	
DRAWING NO. AW053 /PART NO. 00		TITLE 埃弗勒斯 EVEREST www.EVERESTCASE.COM	
DD NOT SCALE DRAWING		SHEET 1 OF 1	
SIZE A4	REV	DRAWING NO. AW053	